

# cage assembly instructions

Park Plaza Cage  
Models: #3351  
#3352

**#3351**  
exterior: 18"L x 18"W x 49¼"H  
w/seed guards: 26¼"L x 26¼"W  
interior: 17"L x 17"W x 33½"H  
wire: [gauge] 12 & 14 [spacing] ½"

**#3352**  
exterior: 24"L x 20"W x 53⅝"H  
w/seed guards: 32½"L x 28⅞"W  
interior: 23⅞"L x 19"W x 37⅝"H  
wire: [gauge] 12 & 14 [spacing] ½"

## getting started!

### READ THESE NOTES FIRST:

Assembly steps and parts lists are exactly the same for both the #3351 & #3352. The only differences are in dimensions.

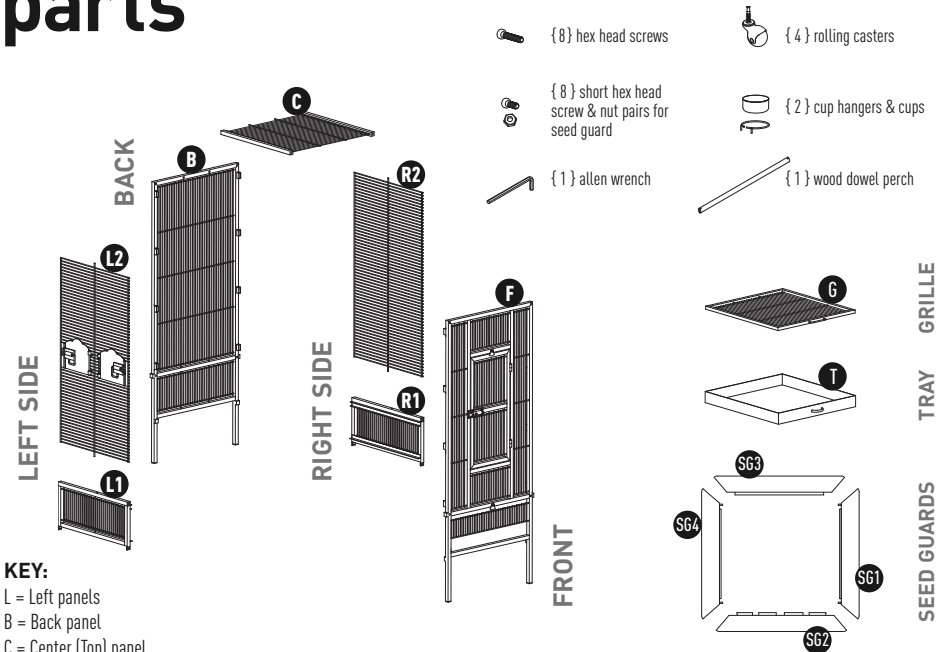
• **Enlist A Friend:** These cages are easy for one person to assemble, but for best results, you may want to enlist a friend to help.

• **Count Hardware & Review All Parts:** If any screws are missing, or if parts have been damaged during shipping and handling, please contact Prevue Customer Service immediately.

• **Tools:** You will only need an allen wrench (provided). If you use your own tools, please note: **Prevue DOES NOT recommend power tools.** Screws can be over-tightened and parts may be damaged or stripped. Prevue is not responsible for this type of damage.

Review instructions thoroughly before assembling the cage.  
If you require assistance, please contact Prevue Customer Service at 800.243.3624 or through links online at [www.prevuepet.com](http://www.prevuepet.com)

## parts



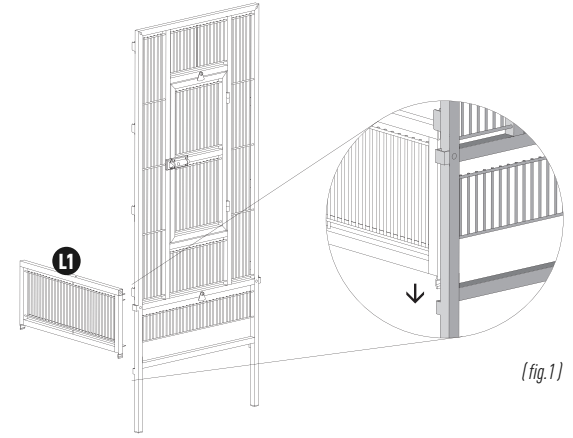
**KEY:**  
L = Left panels  
B = Back panel  
C = Center (Top) panel  
R = Right panels  
F = Front panel

## steps

### 1 Assemble the cage base:

The lower side (L1) & (R1) panels feature:

- channels for the grille and tray — make sure the channels face the interior of the cage
- tabs at the bottom which correspond to sleeves on the legs of the front and back panels (see *fig.1*)

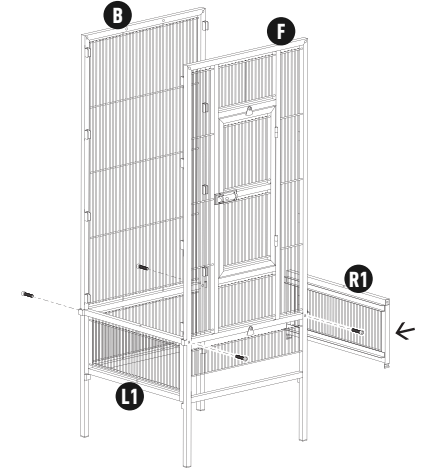


Slide the tabs on the **left side lower (L1)** panel down into the sleeves on the legs of the **front (F)** and **back (B)** panels.

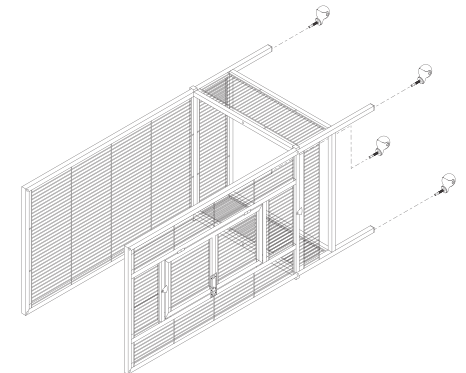
Install one long hex screw — through the front and back panels — into the top corners of (L1). Loosely tighten the screws into place.

Repeat installation steps for the **right side lower (R1)** panel.

Snuggly tighten screws in all four corners to create a secure base.



- ### 2
- With the lower side panels installed, carefully lay the cage on its side as illustrated. Install **rolling casters** in each leg post. After the casters have been installed, carefully upright the cage and continue assembly.



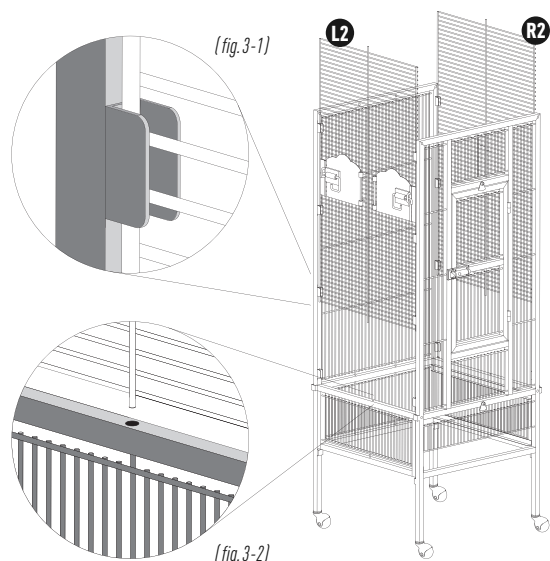
### 3 Install the sides:

The upper side (L2) & (R2) panels:

- slide down into channels along the inside rails of the front and back panels (see *fig.3-1*)
- have a center vertical wire extending beyond the top and bottom horizontal wires (see *fig.3-2*)
- \* The cup door locks on the (L2) panel should be facing out

Slide the **left side upper (L2)** panel into place, making sure the panel is centered within all channels. Align the lower extended vertical wire with the hole on the top edge of the (L1) rail.

Repeat the installation steps for the **right side upper (R2)** panel.



### 4 Install the roof:

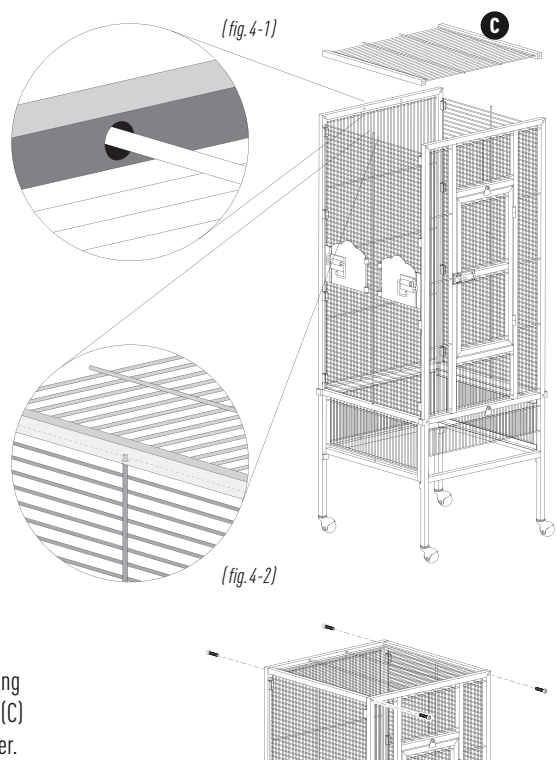
The **center top (C)** panel:

- has two vertical wires extending beyond the top and bottom horizontal wires
- has one small hole centered on the underside of each side rail

Align the two extended vertical wires on the **center top (C)** panel with the two corresponding holes on the inside rails of the (F) & (B) panels (see *fig.4-1*).

Align the underside holes on the **center top (C)** panel side rails with the extended vertical wires on (L2) & (R2) panels (see *fig.4-2*).

When all extended wires and corresponding holes are aligned, secure the **center top (C)** panel with a long hex screw in each corner.

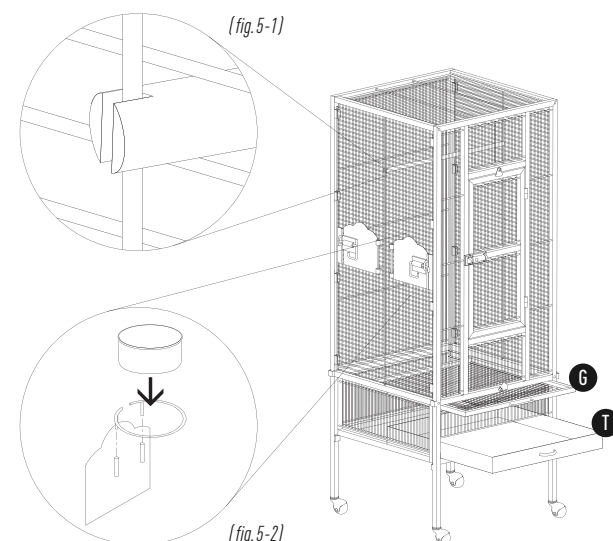


### 5 Install the components:

**Install the Perch** — Perch extends from left side panel to right side panel, aligned on the center vertical wire (see *fig.5-1*).

**Install the Cups/holders** — Insert the cup holders into the cup doors on the (L2) panel, and insert cups into the holders (see *fig.5-2*).

**Add the Grille & Tray** — Rotate the windbell lock out of the way and slide the removable **grille (G)** into the top channel tracks and the **tray (T)** into the bottom channel tracks.



### 6 Assemble the seed guards:

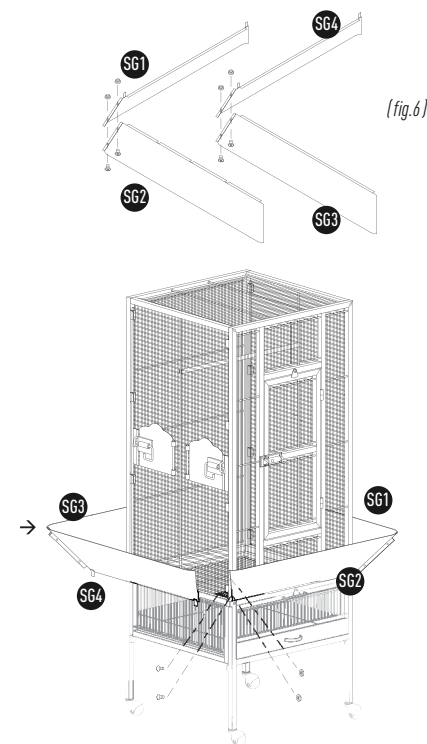
**Left & right side seed guards (SG1) & (SG4)** are interchangeable and have tabs at the corners which fit into sleeves protruding from the sides of the front and back panel frame legs.

To make assembly easier, pre-assemble (upside-down) the **SG1/SG2** pair and the **SG4/SG3** pair on the floor (see *fig.6*).

Slip the **right side/front (SG1/SG2)** seed guard pair into place as illustrated. Slip the **left side/back (SG4/SG3)** pair into place.

Align the holes at the front left (**SG4 + SG2**) corner and secure guards together with screw & nut pairs as illustrated.

Finish with the back right (**SG1 + SG3**) corner.



☆ **Your cage is now fully assembled!**