

cage assembly instructions

Silverado Macaw Cage
Model: # 3155S

cage: 46" L × 36" W × 78 1/4" H
w/seed guard: 54 3/4" L × 44 3/4" W
interior: 45 1/2" L × 35 1/2" W × 63" H
wire: [gauge] 9 & 9 [spacing] 1 1/8"

getting started!

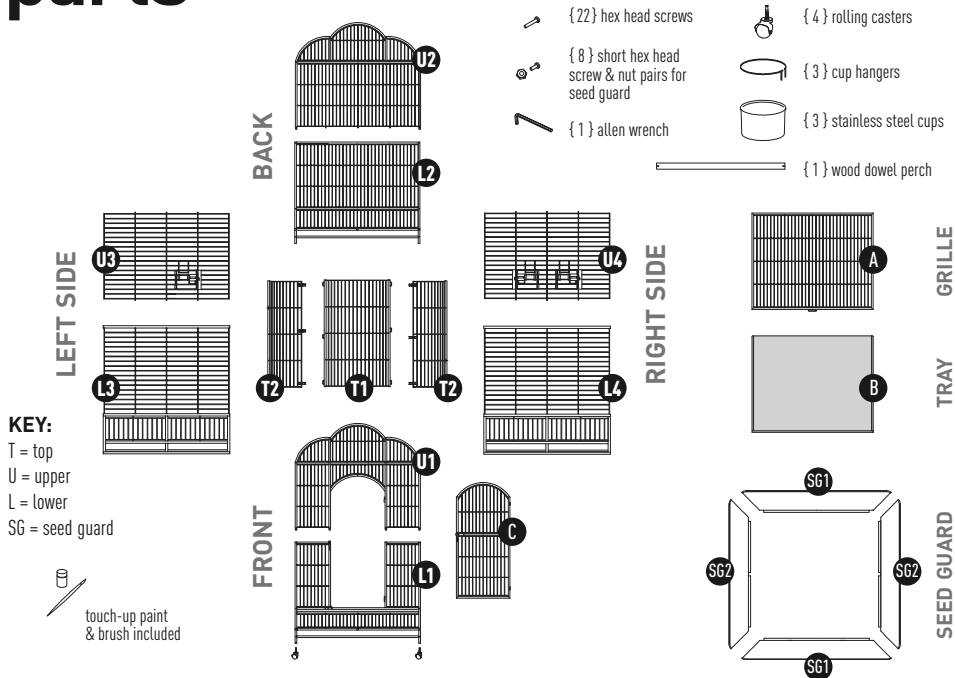
READ THESE NOTES FIRST:

- **Enlist A Friend:** This is a large cage and requires two people to assemble.
- **Count Hardware:** If any screws are missing, please contact Prevue Customer Service.
- **Review All Parts:** If parts are bent during shipping, pieces may be straightened with needle nose pliers. For seriously damaged pieces, please contact Prevue Customer Service.

• **Tools:** An allen wrench is included. You may use your own hand tool with an allen wrench bit. **We do not recommend power drills!** Parts can be over-tightened and damaged/stripped. Prevue is not responsible for this type of damage.

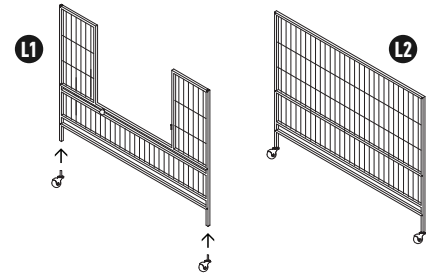
Review these instructions thoroughly before attempting to assemble cage. If you still require assistance, please contact [Prevue Customer Service at 800.243.3624](tel:800.243.3624) or through links [online at prevuepet.com](http://online.atprevuepet.com)

parts



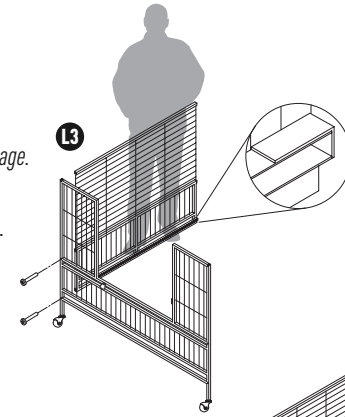
steps

1 Attach casters to legs of **lower front (L1)** and **lower back (L2)** panels.

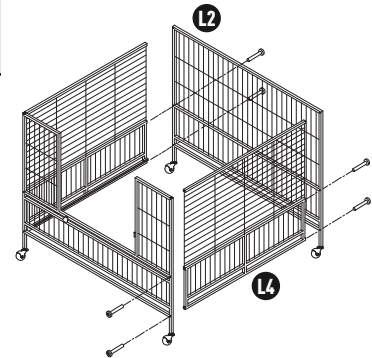


2^a THIS STAGE REQUIRES TWO PEOPLE. Attach **left side lower (L3)** panel to **front lower (L1)** panel.

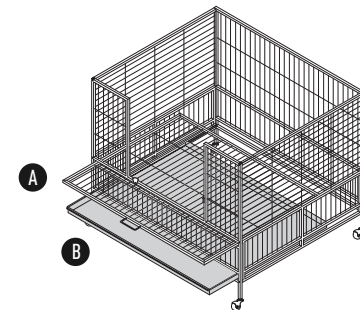
- Channels on (L3) face toward interior of cage.
- Install bottom and middle screw only. Leave top screw out until STEPS 4a & b.



2^b Attach **right side lower (L4)** panel to **front lower (L1)** panel. Attach **back lower (L2)** panel to sides, continuing to attach with only bottom and middle screws.

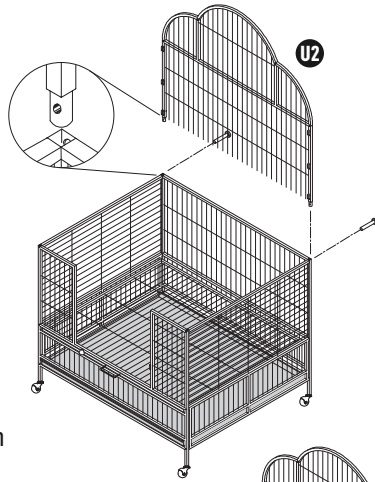


3 After lower cage has been assembled, slide in the **grille (A)** and **drawer (B)**.



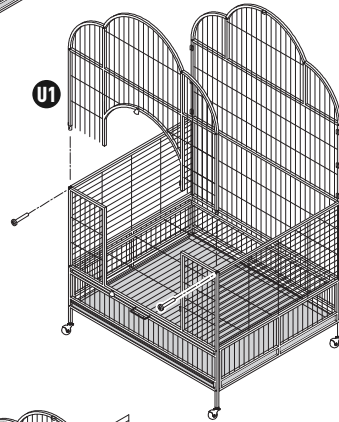
4a THIS STAGE REQUIRES TWO PEOPLE.
Back upper (U2) panel fits into **back bottom (L2)**. When post is aligned with hole, secure panel with screw.

→ Have first person hold (U2) panel upright—so as not to bend posts—while second person secures panel.



4b **Front upper (U1)** panel fits into **front bottom (L1)**. When holes are aligned, secure panel with screws.

→ Again, have first person hold upper panel upright.



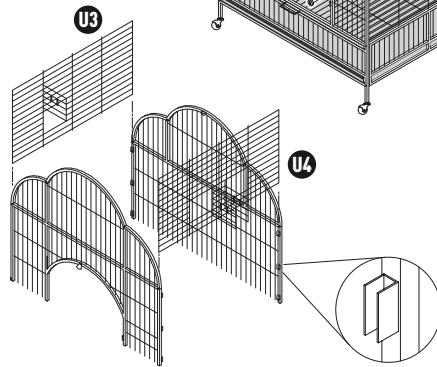
4c **Side upper (U3 – with one cup door; U4 – with two cup doors)** panels are interchangeable.

→ Make sure cup doors swing out (not into cage).

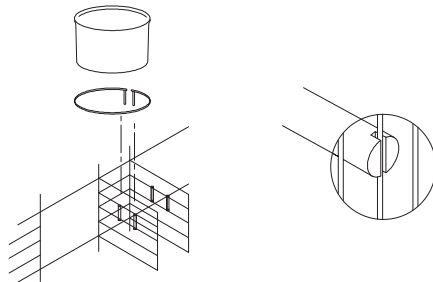
Slide **side upper** panel into channels on **back upper (U2)** and **front upper (U1)** panels.

→ May require two people.

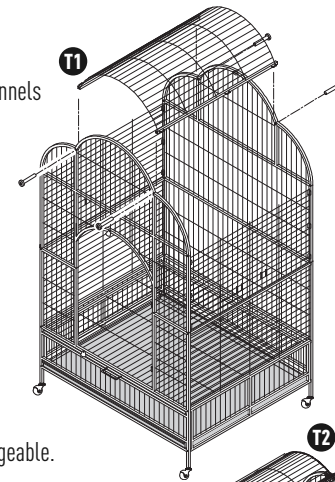
Three vertical wires on (U3) and (U4) panels extend below lower horizontal wire. Align wires with corresponding holes along top rail of side lower panel [(L3) or (L4)].



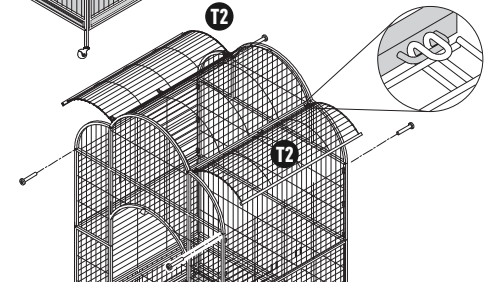
5 With lower and upper portions of the cage assembled, this is an easy time to add **cup holders/stainless steel cups** to the side panel cup doors, and to install the **wooden dowel perch**.



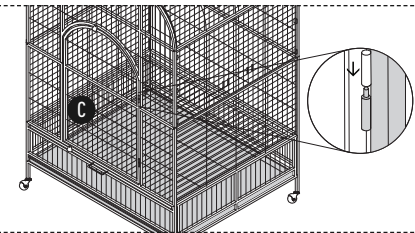
6a THIS STAGE REQUIRES TWO PEOPLE.
Center top (T1) roof panel fits into channels at the very top of **front upper (U1)** and **back upper (U2)** panels. Attach with screws at the four bottom corners.



6b **Side top (T2)** roof panels are interchangeable.
 Three hooks along top bar of (T2) roof panels link into handles along lower bar of the (T1) panel.
 Three vertical wires on (U3) and (U4) panels extend above the upper horizontal wire. Align wires with corresponding holes along bottom rail of (T2) panel.
 Attach (T2) panels with screws in lower corners.



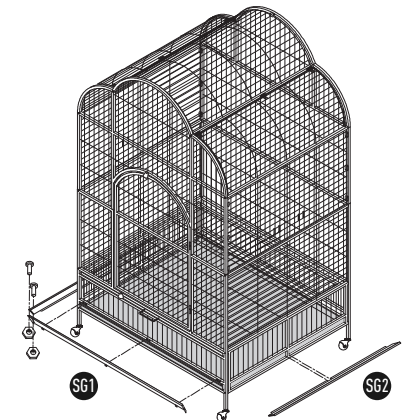
7 Add **front door (C)**. Female sleeves on the door slide down over male posts.



8 THIS STAGE REQUIRES TWO PEOPLE.
Front and back seed guard (SG1) panels have three metal "L" tabs along lower bottom edge. Hook tabs into sleeves along lower rail on **front lower and back lower (L1 & L2)** panels.

→ Use the *short hex screw & nut pairs*.

While first person holds **side seed guard (SG2)** panel in place, second person aligns holes in corners, and secures **front and side panels** with screw & nut pairs.



★ Your cage is now fully assembled!