



Hampton Deluxe Breeding Cage

PARTS LIST

CUSTOMER SUPPORT


For assistance or replacement parts, please contact Prevue Pet Products:

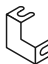
PHONE 1 (312) 243-3624


ONLINE www.prevuepet.com

EMAIL customerservice@prevuepet.com

HARDWARE INCLUDED:

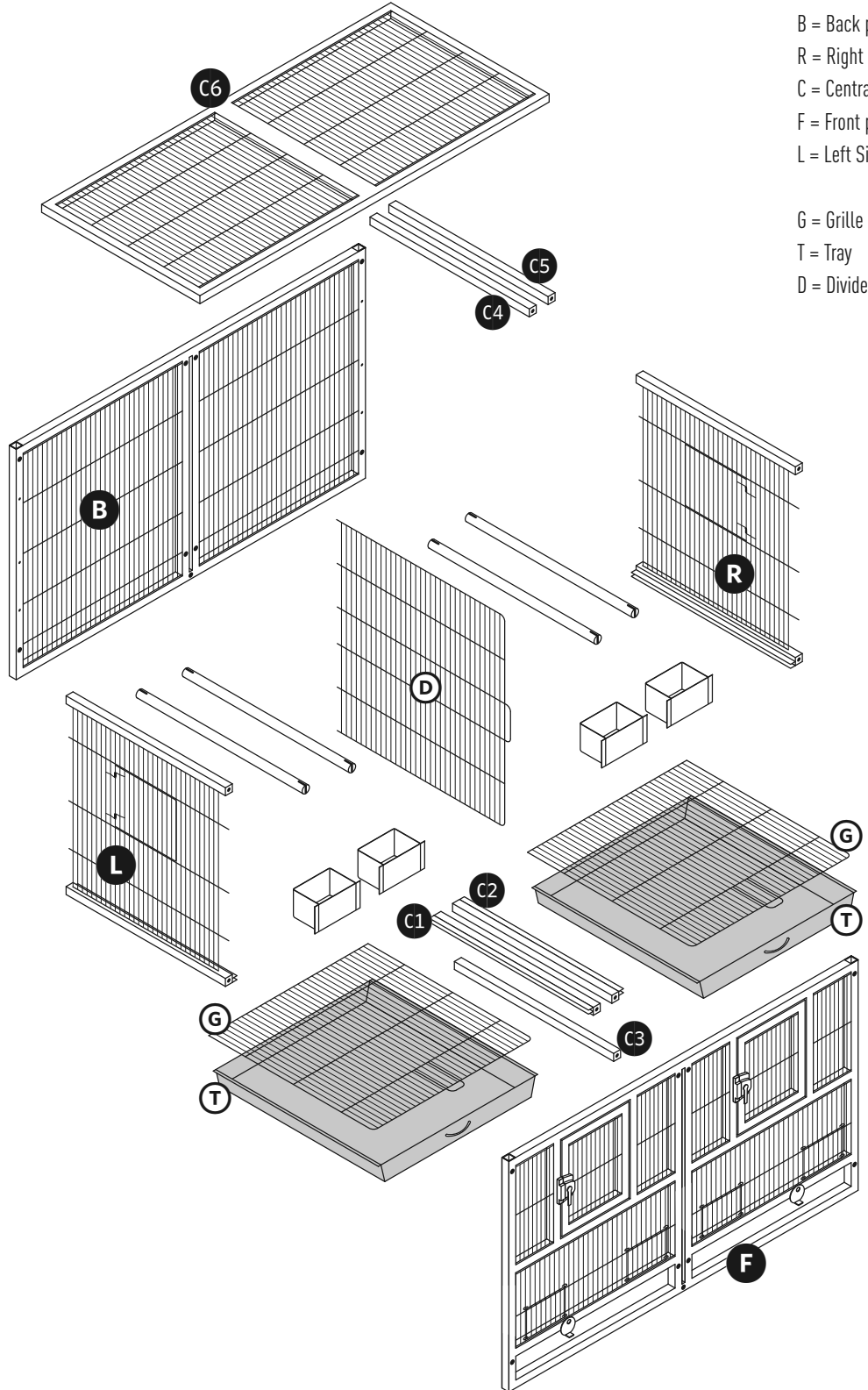
 **Hex Screw**
18 pcs +1

 **Corner Bracket**
4 pcs

 **Endcap**
8 pcs

 **Allen wrench**
1 pcs

 **Plastic Connector**
4 pcs



KEY:

- B = Back pieces
- R = Right Side pieces
- C = Central Core pieces
- F = Front pieces
- L = Left Side pieces

- G = Grille
- T = Tray
- D = Divider

Hampton Deluxe

Divided Breeding Cage

MODEL: #F075

Instructions online at www.prevuepet.com

CUSTOMER SUPPORT

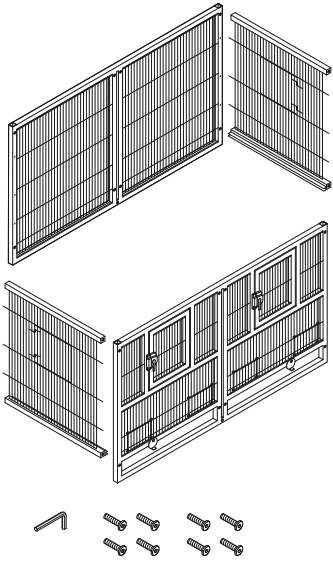
For assistance or replacement parts, please contact Prevue Pet Products:

PHONE 1 (312) 243-3624

ONLINE www.prevuepet.com

EMAIL customerservice@prevuepet.com

1 To assemble the **CAGE BODY**, you will need these pieces:

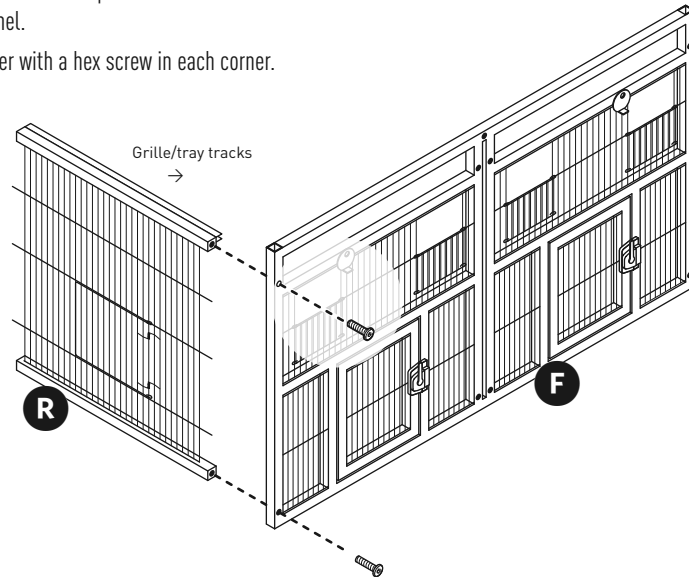


NOTE : For Steps 1 and 2, the cage body will be assembled **UPSIDE DOWN** for ease of assembly.

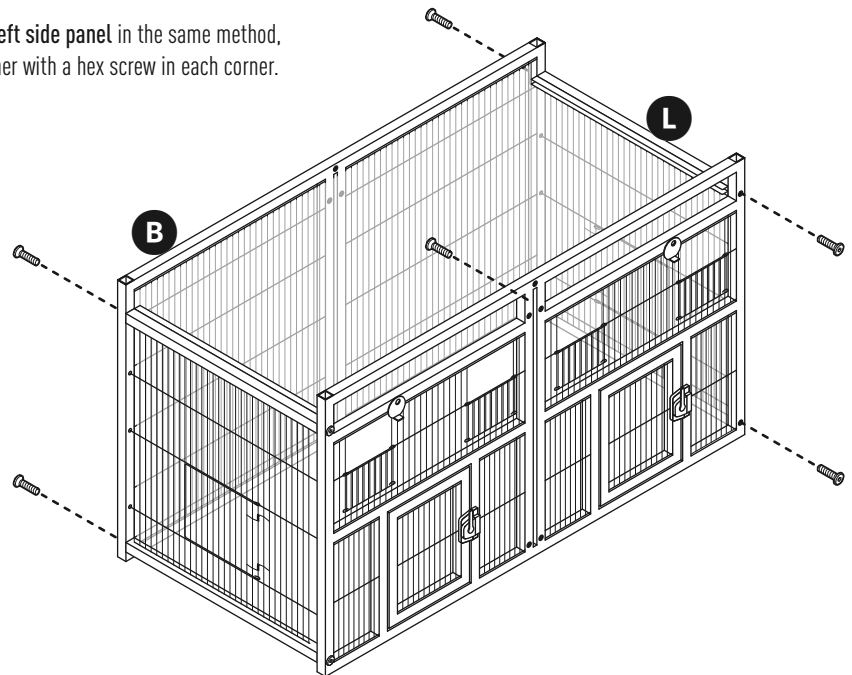
Turn the **front panel** and **right side panel** (with grille/tray channels facing the cage interior) upside down.

Guide the extended wires on the side panel into the holes on the frame of the front panel.

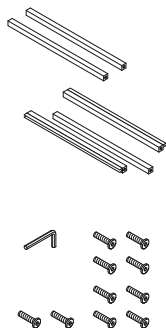
Secure the panels together with a hex screw in each corner.



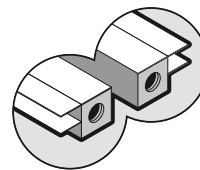
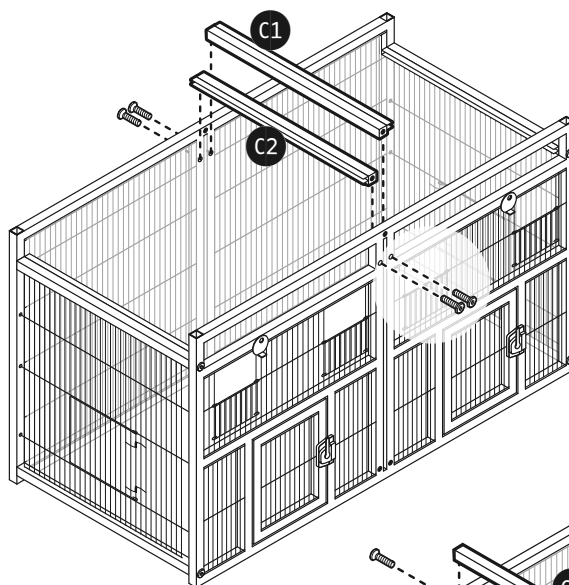
Add the **back panel** and **left side panel** in the same method, securing all panels together with a hex screw in each corner.



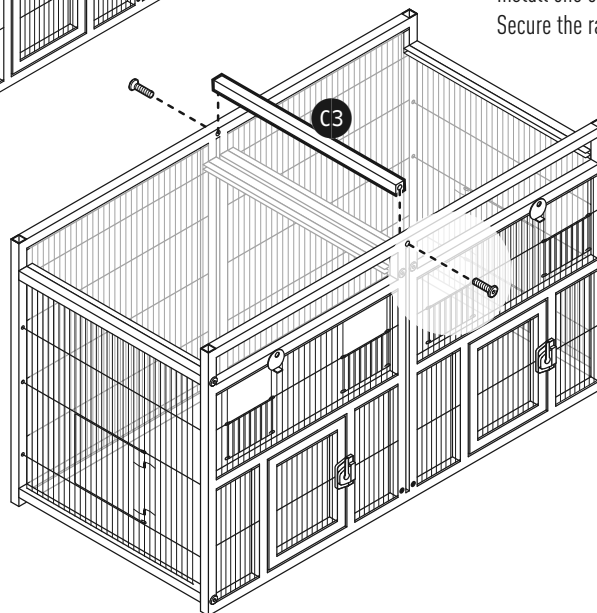
2 To complete the **CAGE BODY** assembly, you will need these pieces:



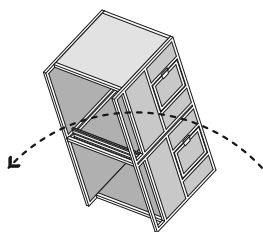
With the cage body still upside down, install the two tray channel rails. Orient the channels as shown in the detail. Secure the channels with hex screws.



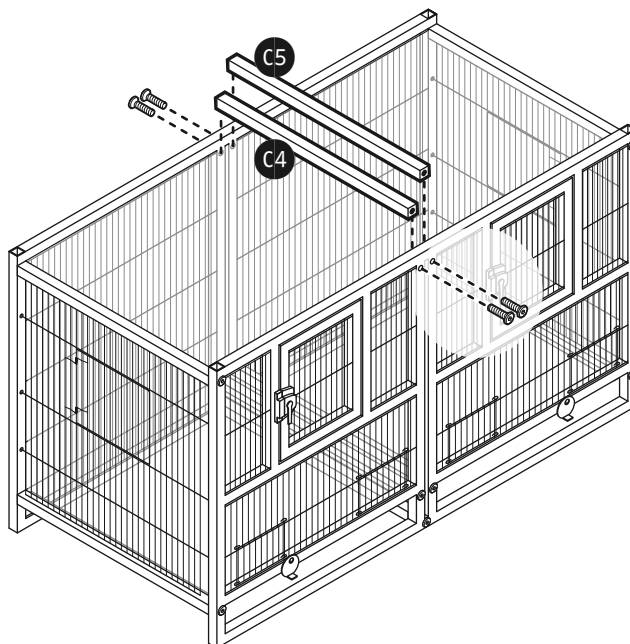
Install one of the three square rails. Secure the rail with hex screws.



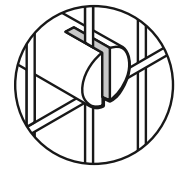
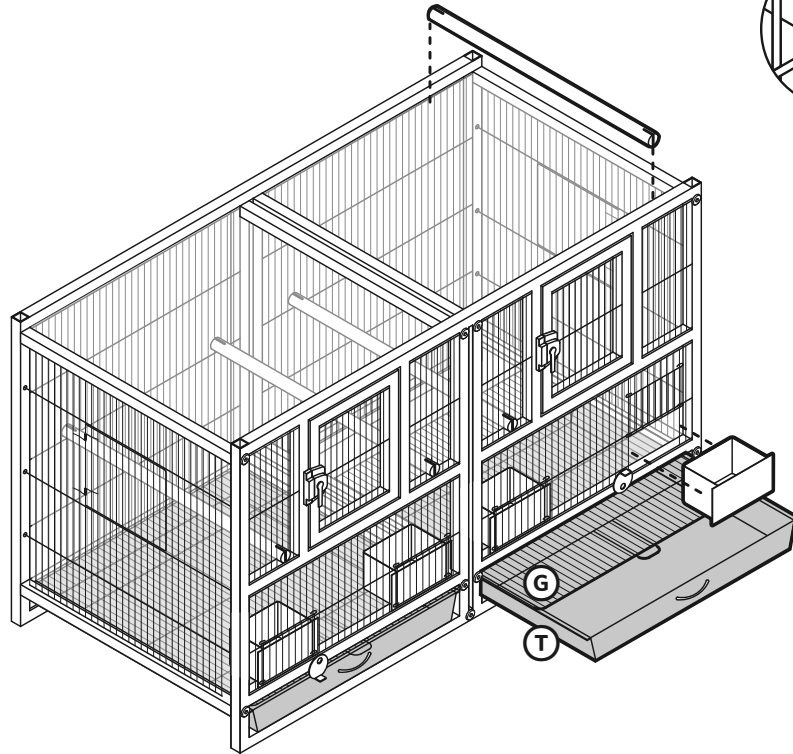
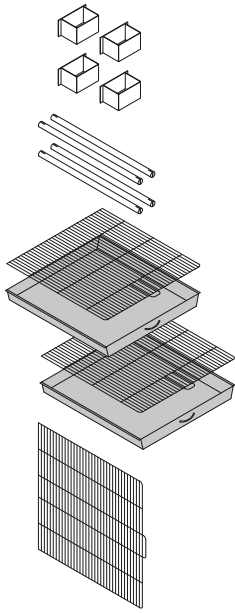
Flip the cage body upright



Install the two remaining square rails. Secure the rails with hex screws.



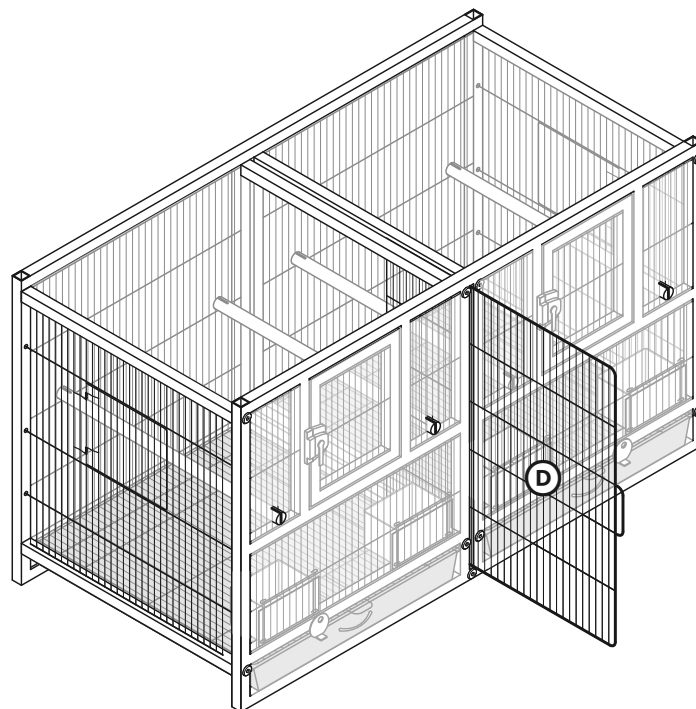
3 To add the **ACCESSORIES**, you will need these pieces:



Insert the slotted ends of the **perches** on a vertical wire and resting on a horizontal wire or frame rail.

Slide the cup doors up and insert the **food/water cups**. The closed door holds the cup in place.

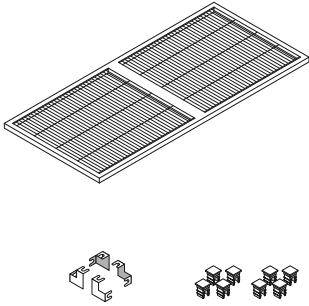
Rotate the **grille/tray** lock out of the way and slide the **grill** into the top channels and the **tray** into the bottom channels for each cage side.



Leave the center **divider grille** out for full-cage use, or slip it in place to divide the cage interior into two separate spaces.

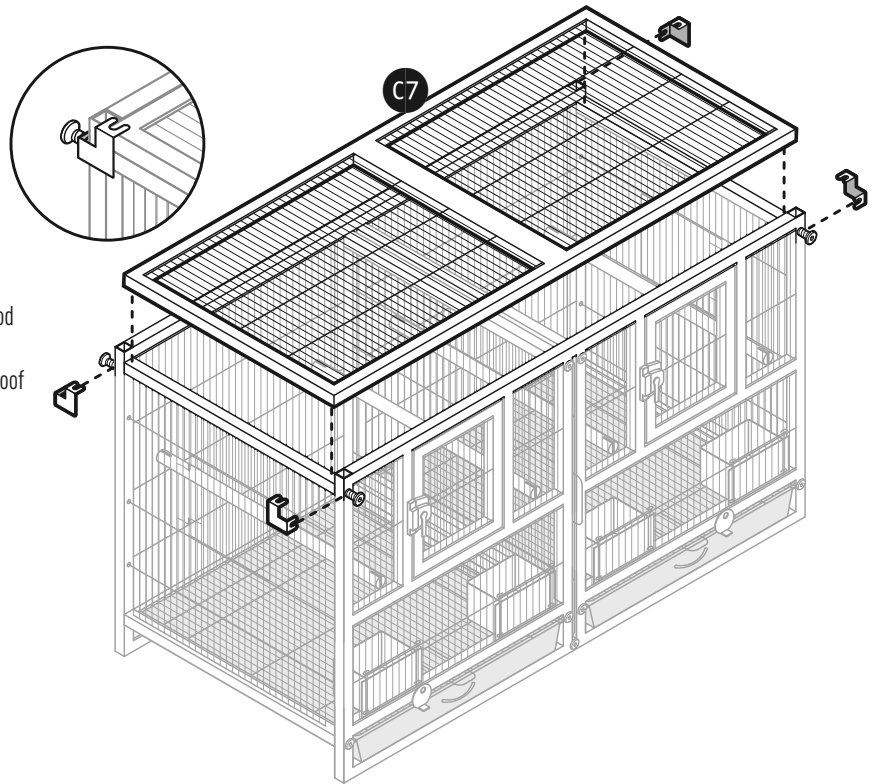
5

To add the **ROOF** and endcaps, you will need these pieces:



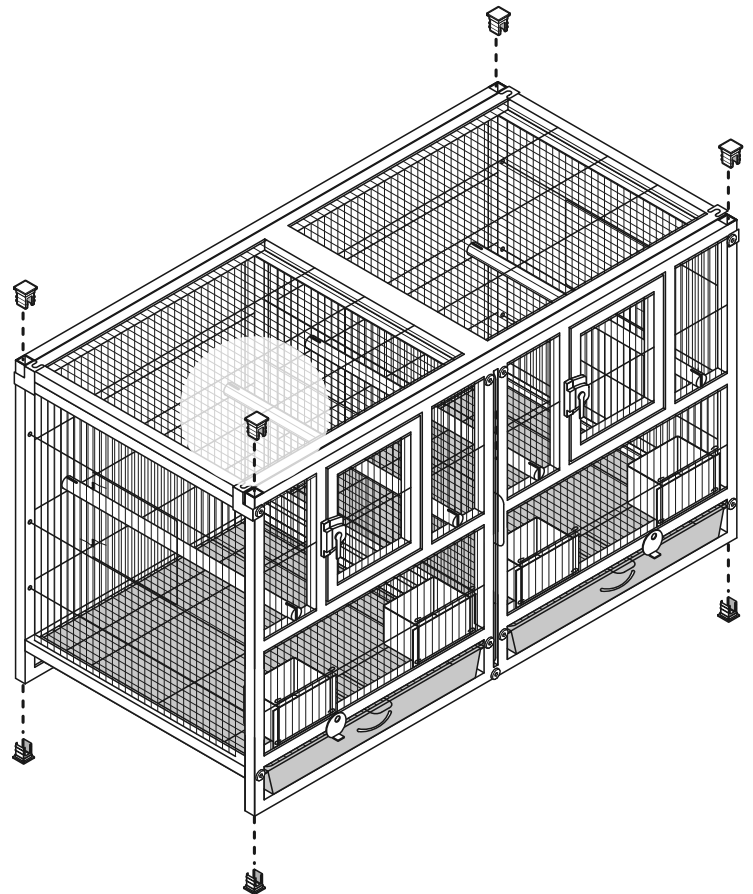
Set the **roof panel** into place.

Back the corner screw out and slip a **corner bracket** over the corner as shown in the detail. Tighten the screw to secure the bracket on the corner.



Repeat the method for all corners to fully secure the roof in place.

Tap the **endcaps** into each corner—top and bottom—to finish off the assembly.



★
Your **Hampton Deluxe** is now fully assembled and ready for use.

HOW TO STACK ASSEMBLED UNITS

CUSTOMER SUPPORT

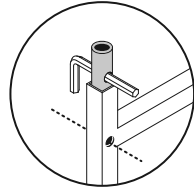
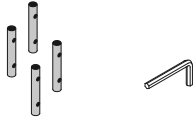
For assistance or replacement parts, please contact Prevue Pet Products:

PHONE 1 (312) 243-3624

ONLINE www.prevuepet.com

EMAIL customerservice@prevuepet.com

1 You will need these pieces:



INSTALLATION TIP :

Use the allen wrench to keep the plastic connector from going too deeply into the frame, and to align the holes in the post and frame.

TOOLS NEEDED :

An allen wrench and maybe a screwdriver or pliers to help in removing endcaps.

1. REMOVE ENDCAPS

From the top unit, remove the footer endcaps.

From the bottom unit, remove the top endcaps.

2. REMOVE HEX SCREWS

From the bottom unit, remove the four top corner hex screws.

3. INSERT PLASTIC CONNECTOR POSTS

Into the frame corners of the bottom unit, insert the plastic connectors, following the **INSTALLATION TIP** at the top of the page.

4. REPLACE HEX SCREWS

On the bottom unit, replace the hex screws in each top corner, making sure to keep the roof brackets in place.

5. STACK THE UNITS

After all corner connectors and corner brackets are installed securely, slide the frame corners of the top unit over the connector posts on the bottom unit.

Three cage units can be stacked safely. Do not exceed three stacked cages.

