

# cage assembly instructions

Beijing Parakeet/Cockatiel Cage  
Model: # 41730

cage: 16"L x 14"W x 32"H  
interior: (upper) 8"L x 13"W x 15"H  
interior: (lower) 15"L x 13"W x 19"H  
wire gauge: 12 & 16      wire spacing: 7/16"

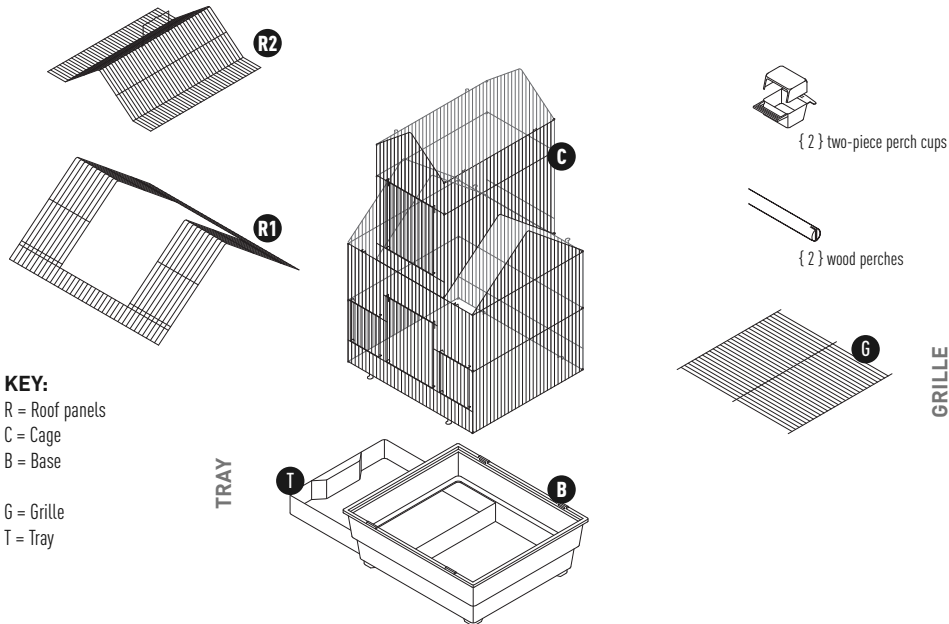
## getting started!

### READ THESE NOTES FIRST:

- **Review All Parts:** If parts have been damaged, please contact Prevue Customer Service.
- **Tools:** No tools are necessary for the assembly of this cage. NOTE: You may want to have a pair of needle nose pliers to straighten or adjust any cage wires or wire loops.

Review these instructions thoroughly before attempting to assemble cage. If you still require assistance, please contact Prevue Customer Service at 800.243.3624 or through links online at [prevuepet.com](http://prevuepet.com)

## parts

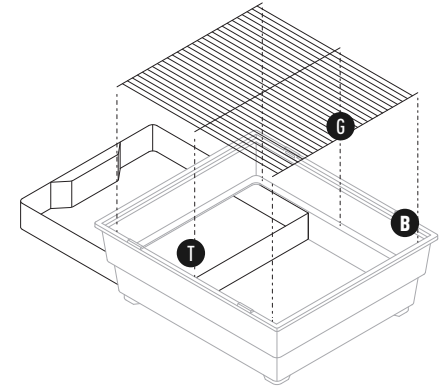


## steps

### 1 Assemble the base:

The base (B) should arrive with the tray (T) in position.

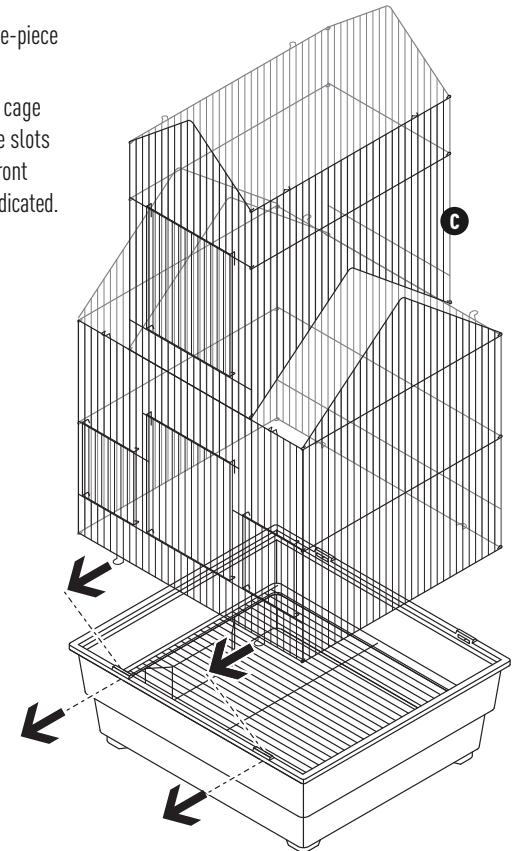
Place the grille (G) into the base.



### 2 Assemble the body of the cage:

Unflatten the cage (C) body, opening the one-piece mesh until it forms a rectangle.

Set the cage body into the base. Catch the cage wire loops (along the bottom edge) into the slots on the cage base. There are two along the front and two along the back — one example is indicated.

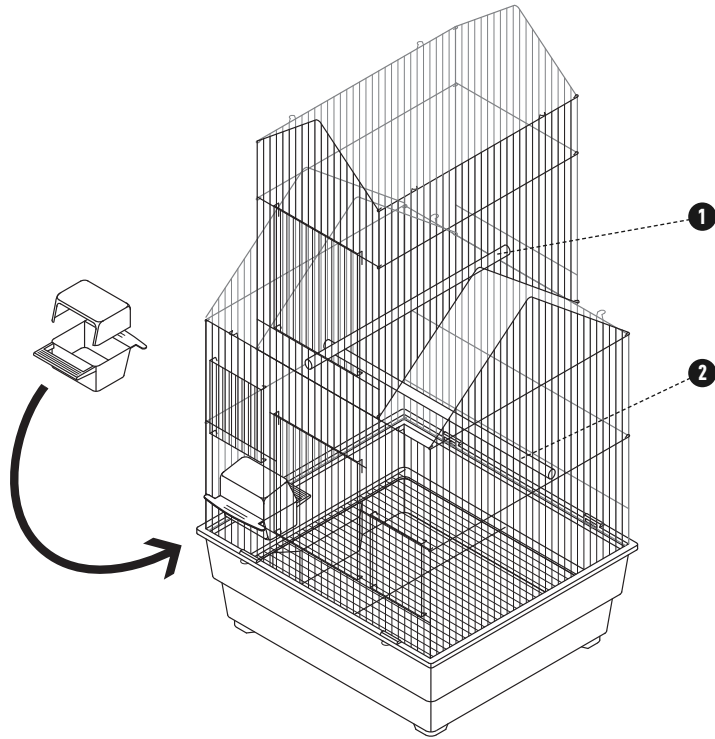


### 3 Install the accessories:

Assemble the **two-piece cups**. The opening in the hooded top faces the perch. Snap the top into the base. (Cups can be disassembled for cleaning.) Lift up the sliding door on the cage with the cup's perch/opening facing the inside of the cage, and set the cup into place.

The **upper perch (1)** should be installed from front to back, just under the upper floor landing-style door.

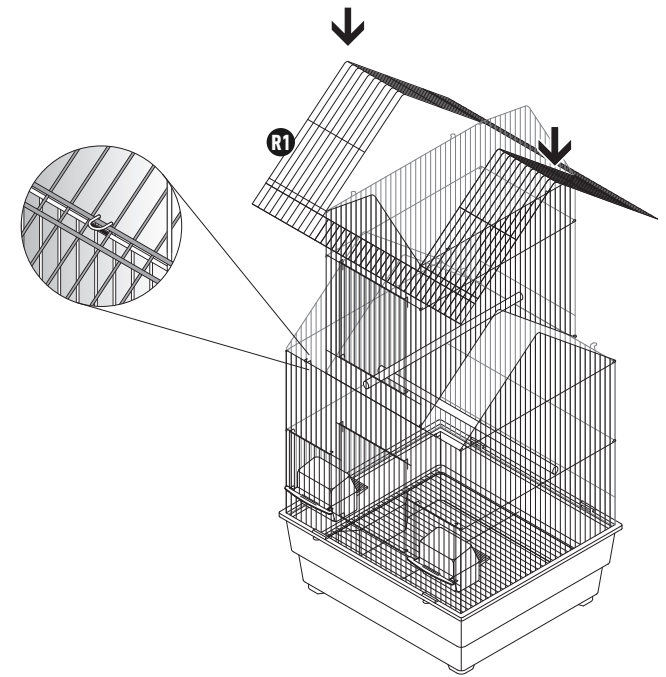
The **lower perch (2)** may be installed from side to side, aligned on the lower horizontal wire.



### 4 Assemble the lower roof:

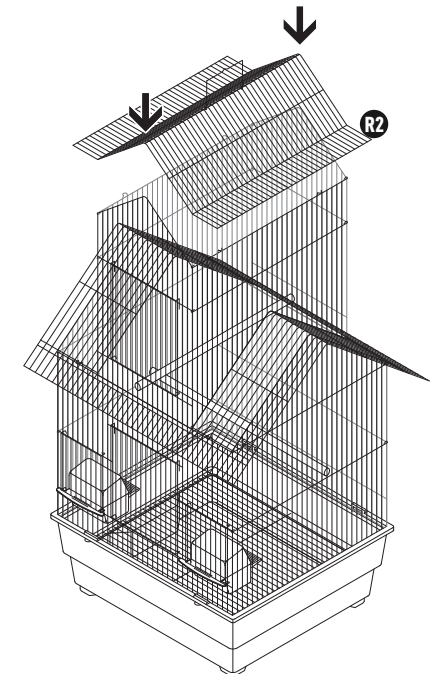
Center the **lower roof (R1)** panel on the cage body and lower it down over the central cage core.

Hook the wires running vertically on the lower roof onto the wire loops along the front edge of the cage body. Hook both front loops first, then the back. (Two loops in the front; two along the back.)



### 5 Assemble the roof top:

Hook the wires running vertically on the **roof top (R2)** (where the roof flares out horizontally) onto the wire loops along the side edges of the cage. Hook the loops on one side first, then hook the other side. (Two loops along the left; two along the right.)



☆ Your cage is now fully assembled!