

# cage assembly instructions

Flight Cage  
Model: # F050

cage: 37"L x 23"W x 60"H  
interior: 36 1/8"L x 22 1/8"W x 47"H  
wire gauge: 8 & 12  
wire spacing: 1/2"

## getting started!

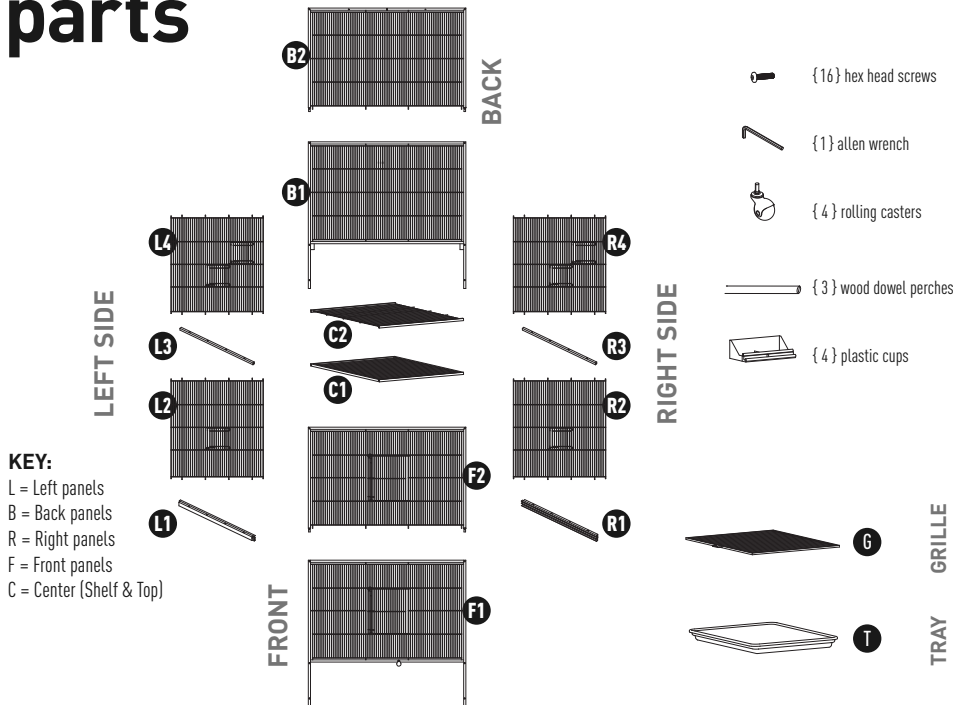
### READ THESE NOTES FIRST:

- **Enlist A Friend:** While this large cage may be assembled by one person, several steps would be made easier with two people.
- **Count Hardware:** If any screws are missing, please contact Prevue Customer Service.
- **Review All Parts:** If wires are bent during shipping, they may be straightened with needle nose pliers. For seriously damaged parts, please contact Prevue Customer Service.

• **Tools:** You will need needle nose pliers to remove slugs and straighten wires. You may use your own hand tool with an allen wrench bit. **We do not recommend power drills.** Parts can be over-tightened and damaged/stripped. Prevue is not responsible for this type of damage.

Review these instructions thoroughly before attempting to assemble cage. If you still require assistance, please contact Prevue Customer Service at 800.243.3624 or through links online at [prevuepet.com](http://prevuepet.com)

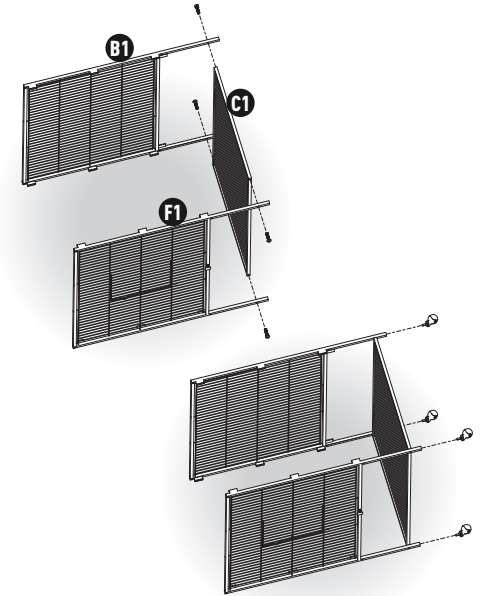
## parts



## steps

### 1<sup>a</sup>

**Assemble the base:** Lay the back lower (B1) and the front lower (F1) frames on their sides. Install the bottom storage shelf (C1) panel with four hex screws. Tighten securely to create a stable base.



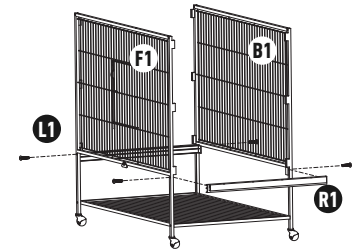
### 1<sup>b</sup>

While the cage is on its side, insert a rolling caster wheel in each leg post.

### 2<sup>a</sup>

**Assemble the lower half:** Stand the cage upright.

→ The side rails have small holes along the top surface of the frame which align with extended vertical wires on the side lower (L2) & (R2) panels. The side rails also have track channels along the inside surface for the grille & tray. The holes should be facing up and the tracks should be facing the cage interior.



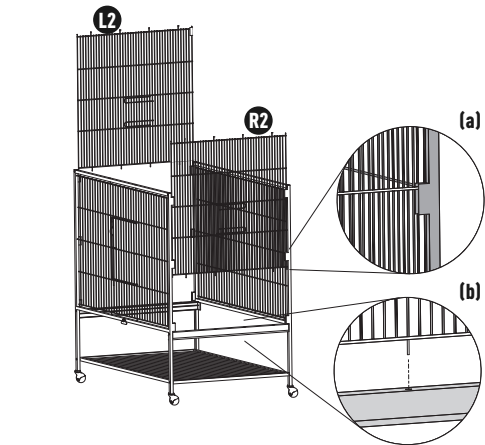
Attach the left lower (L1) and right lower (R1) side rails with hex screws, through the leg frames, into each end.

### 2<sup>b</sup>

The side lower (L2) & (R2) mesh panels have one spring-loaded door in each panel. They also both have vertical wires extending above and below the panel.

Slide the right side lower (R2) panel down through the channels along the inside rails of the front and back panel frame (see detail [a]). Align the extended wires at the bottom with the holes on the top surface of the lower rail (R1) (see detail [b]).

Install the left side lower (L2) panel in the same manner. When installed correctly, doors will open out.

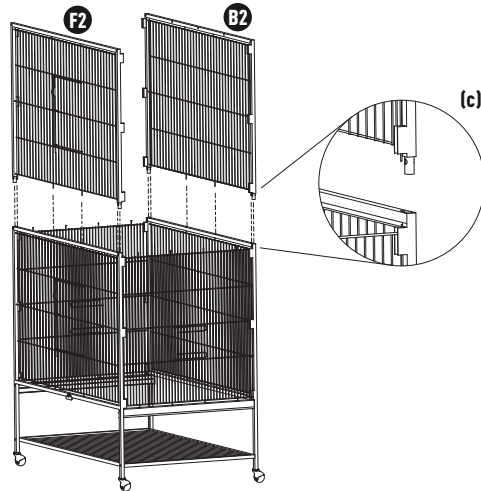


### 3<sup>a</sup> Assemble the upper half:

→ The front upper (F2) and back upper (B2) panels have posts on the lower frame legs which align with holes in the frame of the front lower and back lower panels (see detail [c]). The upper panels also have extended vertical wires in the mesh portion which correspond with holes along the top surface of the lower frame.

Stack the **front upper** (F2) panel onto the front lower (F1) frame. Align the upper frame corner posts into the lower frame corner holes. Align the upper frame extended vertical wires with the lower frame holes.

Stack the **back upper** (B2) panel onto the back lower (B1) panel in the same manner.

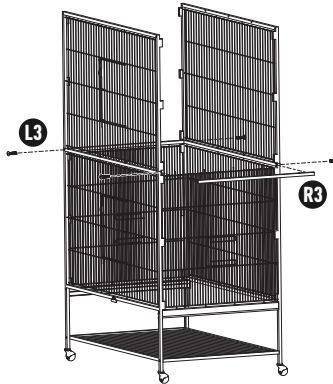


### 3<sup>b</sup>

The middle (L3) & (R3) side rails have small holes along the top and bottom surfaces of the frame which align with extended vertical wires on the side lower (L2) & (R2) and side upper (L4) & (R4) panels.

Attach the **left middle** (L3) side rail by aligning the holes along the bottom surface with the extended wires along the top edge of (L2), and securing the rail with hex screws, through the leg frames, into each end.

Install the **right middle** (R3) side rail in the same manner.

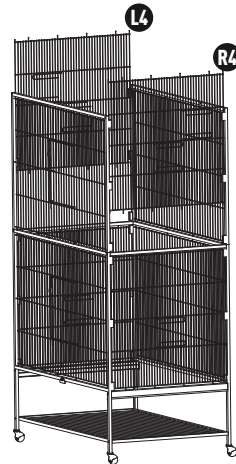


### 3<sup>c</sup>

The side upper (L4) & (R4) mesh panels have two spring-loaded doors in each panel. They also both have vertical wires extending above and below the panel.

Slide the **right side upper** (R4) panel down through the channels along the inside rails of the front and back panel frame (in the same manner as Step 2b). Align the extended wires at the bottom with the holes on the top surface of the middle side rail (R3).

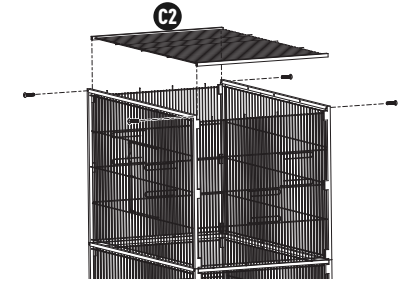
Install the **left side upper** (L4) panel in the same manner. When installed correctly, doors will open out.



### 4 Assemble the roof:

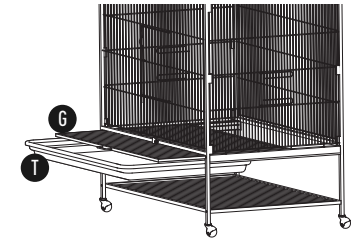
Side rails on the roof (C2) panel have small holes along the bottom surface which align with extended vertical wires on the side upper (L4) & (R4) panels. There are also extended wires along the front and back edge of (C2) which align with holes along the inside surface of the front and back (F2) & (B2) frames.

Align the **top** (C2) panel by aligning holes and extended wires. Secure the roof with hex screws in each corner.



### 5

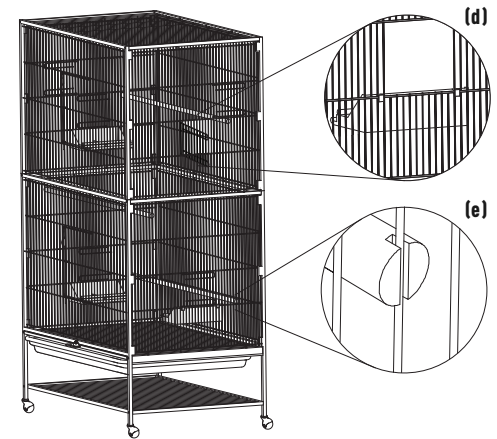
With the cage completely assembled, rotate the windbell lock to one side and slide the **grille** (G) and **tray** (T) into position; grille in the upper track, tray in the lower track.



### 6

When the cage is completely assembled, insert the **food/water cups** into the side doors (see detail [d]) and install the **perches** (see detail [e]).

☆ Your cage is now fully assembled!



#### CLEANING INSTRUCTIONS

Prolong the life of your Prevue cage with these recommendations:

When cleaning the cage, use a mild soap and soft cloth or Teflon-resistant scrubber (such as Prevue's Cage Saver non-abrasive scrub pad (#109)).

After washing, dry the cage thoroughly with a dry soft cotton cloth to prevent rust.

Wash the tray with soap and warm water. **DO NOT** leave tray to dry in the sun, as the tray can warp. Hand dry the tray and grille with a soft cotton cloth before placing back into cage.